



■ Features :

- AC input active surge current limiting
- AC input range selected by switch
- Protections: Short circuit / Overload / Over voltage / Over temperature
- Forced air cooling by built-in DC ball bearing fan
- Built-in remote sense function
- LED indicator for power on
- UL approved
- 2 years warranty

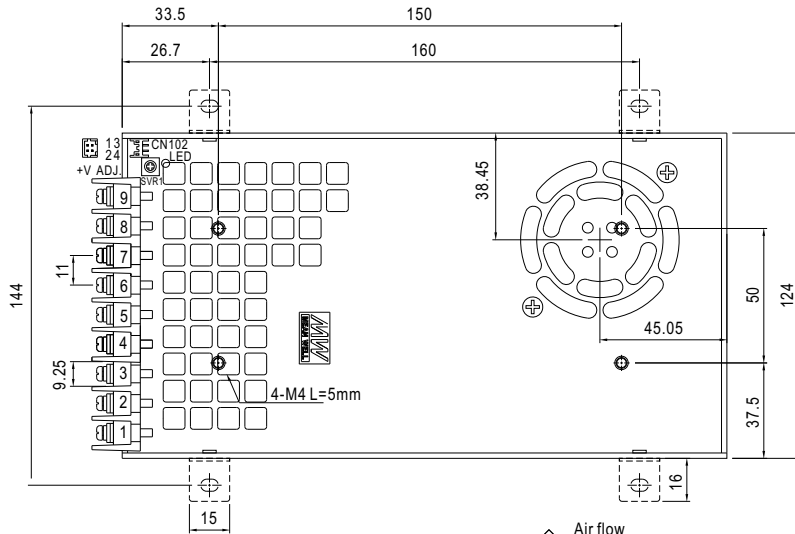


SPECIFICATION

| MODEL               | SE-450-3.3  | SE-450-5  | SE-450-12    | SE-450-15    | SE-450-24    | SE-450-36    | SE-450-48    |              |
|---------------------|---|---|--------------|--------------|--------------|--------------|--------------|--------------|
| OUTPUT              | DC VOLTAGE  | 3.3V  | 5V           | 12V          | 15V          | 24V          | 36V          | 48V          |
|                     | RATED CURRENT   | 75A   | 75A          | 37.5A        | 30A          | 18.8A        | 12.5A        | 9.4A         |
|                     | CURRENT RANGE   | 0 ~ 75A   | 0 ~ 75A      | 0 ~ 37.5A    | 0 ~ 30A      | 0 ~ 18.8A    | 0 ~ 12.5A    | 0 ~ 9.4A     |
|                     | RATED POWER   | 247.5W  | 375W         | 450W         | 450W         | 451.2W       | 450W         | 451.2W       |
|                     | RIPPLE & NOISE (max.) Note.2  | 200mVp-p  | 200mVp-p     | 200mVp-p     | 200mVp-p     | 200mVp-p     | 200mVp-p     | 200mVp-p     |
|                     | VOLTAGE ADJ. RANGE  | 2.97 ~ 3.63V  | 4.5 ~ 5.5V   | 10.8 ~ 13.5V | 13.5 ~ 16.5V | 21.6 ~ 28.5V | 32.4 ~ 39.6V | 43.2 ~ 52.8V |
|                     | VOLTAGE TOLERANCE Note.3  | ±3.0%   | ±3.0%        | ±1.0%        | ±1.0%        | ±1.5%        | ±1.0%        | ±1.0%        |
|                     | LINE REGULATION   | ±0.5%   | ±0.5%        | ±0.3%        | ±0.3%        | ±0.2%        | ±0.2%        | ±0.2%        |
|                     | LOAD REGULATION   | ±2.0%   | ±2.0%        | ±0.5%        | ±0.5%        | ±0.5%        | ±0.5%        | ±0.5%        |
|                     | SETUP, RISE TIME  | 1500ms, 50ms/230VAC      1500ms, 50ms/115VAC at full load   |              |              |              |              |              |              |
| HOLD UP TIME (Typ.) | 16ms/230VAC      12ms/115VAC at full load   |   |              |              |              |              |              |              |
| INPUT               | VOLTAGE RANGE   | 90 ~ 132VAC / 180 ~ 264VAC selected by SW      254 ~ 370VDC                                       |              |              |              |              |              |              |
|                     | FREQUENCY RANGE   | 47 ~ 63Hz   |              |              |              |              |              |              |
|                     | EFFICIENCY (Typ.)   | 74%   | 78%          | 83%          | 84%          | 86%          | 86%          | 88%          |
|                     | AC CURRENT (Typ.)   | 10A/115VAC      6A/230VAC   |              |              |              |              |              |              |
|                     | INRUSH CURRENT (Typ.)   | 35A/115VAC      55A/230VAC  |              |              |              |              |              |              |
|                     | LEAKAGE CURRENT   | <2.5mA / 240VAC   |              |              |              |              |              |              |
| PROTECTION          | OVERLOAD  | 105 ~ 150% rated output power<br>Protection type : Shut down o/p voltage, re-power on to recovery |              |              |              |              |              |              |
|                     | OVER VOLTAGE  | 3.8 ~ 4.6V  | 5.75 ~ 6.75V | 13.8 ~ 16.2V | 18 ~ 21V     | 32 ~ 36V     | 45 ~ 52V     | 57.6 ~ 67.2V |
|                     | OVER TEMPERATURE  | Shut down o/p voltage, recovers automatically after temperature goes down                         |              |              |              |              |              |              |
| ENVIRONMENT         | WORKING TEMP.   | -10 ~ +60°C (Refer to "Derating Curve")   |              |              |              |              |              |              |
|                     | WORKING HUMIDITY  | 20 ~ 90% RH non-condensing  |              |              |              |              |              |              |
|                     | STORAGE TEMP., HUMIDITY   | -40 ~ +85°C, 10 ~ 95% RH  |              |              |              |              |              |              |
|                     | TEMP. COEFFICIENT   | ±0.05%/°C (0 ~ 50°C)  |              |              |              |              |              |              |
|                     | VIBRATION   | 10 ~ 500Hz, 2G 10min./1cycle, 60min. each along X, Y, Z axes                                      |              |              |              |              |              |              |
| SAFETY              | SAFETY STANDARDS  | UL62368-1, EAC TP TC 004, BSMI CNS14336-1 approved  |              |              |              |              |              |              |
|                     | WITHSTAND VOLTAGE   | I/P-O/P:3KVAC    I/P-FG:2KVAC    O/P-FG:0.5KVAC   |              |              |              |              |              |              |
|                     | ISOLATION RESISTANCE  | I/P-O/P, I/P-FG, O/P-FG:100M Ohms / 500VDC / 25°C / 70% RH  |              |              |              |              |              |              |
| OTHERS              | MTBF  | 200K hrs min.    MIL-HDBK-217F (25°C)   |              |              |              |              |              |              |
|                     | DIMENSION   | 225*124*50mm (L*W*H)  |              |              |              |              |              |              |
|                     | PACKING   | 1.25Kg;12PCS/16Kg/1CUFT   |              |              |              |              |              |              |
| NOTE                | <p>1. All parameters NOT specially mentioned are measured at 230VAC input, rated load and 25°C of ambient temperature.</p> <p>2. Ripple &amp; noise are measured at 20MHz of bandwidth by using a 12" twisted pair-wire terminated with a 0.1uf &amp; 47uf parallel capacitor.</p> <p>3. Tolerance : includes set up tolerance, line regulation and load regulation.</p> <p>4. The ambient temperature derating of 3.5°C/1000m with fanless models and of 5°C/1000m with fan models for operating altitude higher than 2000m(6500ft).</p> |   |              |              |              |              |              |              |

**Mechanical Specification**

Case No.986A Unit:mm

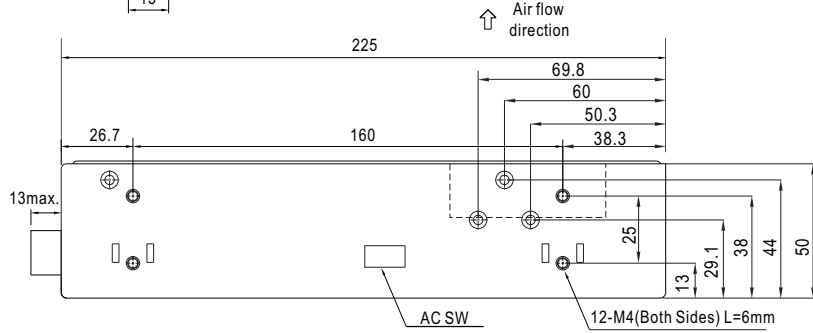


**Terminal Pin No. Assignment :**

| Pin No. | Assignment | Pin No. | Assignment   |
|---------|------------|---------|--------------|
| 1       | AC/L       | 4~6     | DC OUTPUT -V |
| 2       | AC/N       | 7~9     | DC OUTPUT +V |
| 3       | FG $\perp$ |         |              |

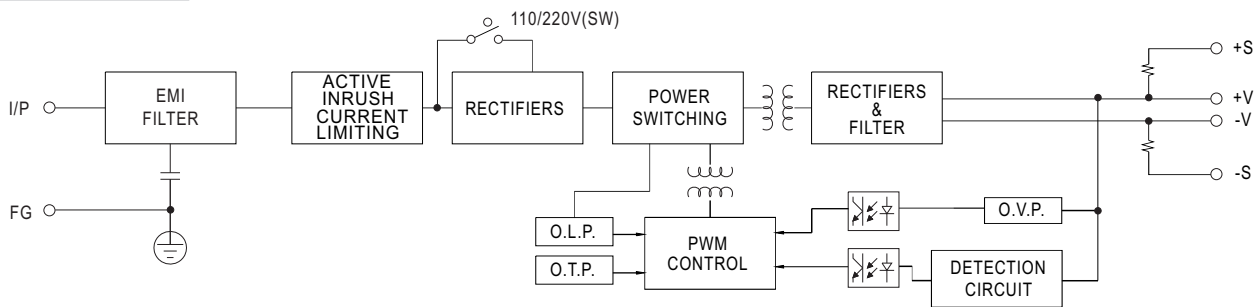
Function Connector(CN102):HRS DF11-4DP-2DS or equivalent

| Pin No. | Status | Mating Housing             | Terminal                       |
|---------|--------|----------------------------|--------------------------------|
| 1 3     | +S     | HRS DF11-4DS or equivalent | HRS DF11-**-**SC or equivalent |
| 2 4     | -S     |                            |                                |

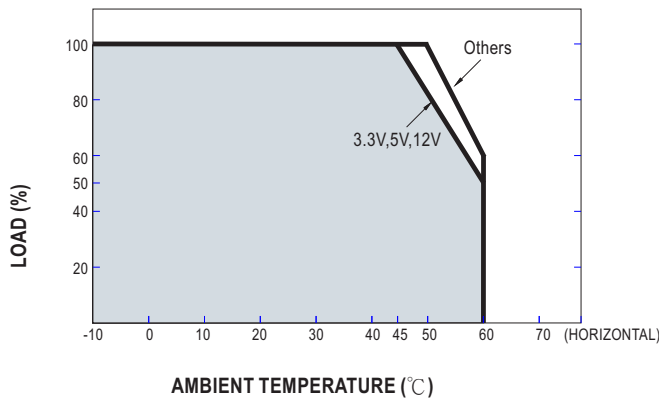


**Block Diagram**

fosc : 100KHz



**Derating Curve**



**Static Characteristics**

