

MFS-200-05-H series

200W/5V Constant Voltage Enclosed Switching Power Supply with PFC function



■ Features:

- Universal AC input / Full range
- Built-in active PFC function
- Protections: Over current / Short circuit / Over Voltage / Over temperature
- Compact size with a low 1U profile
- LED indicator for power on
- Wide range of operating temperature range: -30°C to +70°C
- Operating altitude up to 5000m



MODEL NUMBERING

MFS	-	200	-	X	-	H	-	Y
SERIES		RATED OUTPUT POWER		RATED OUTPUT VOLTAGE		INPUT VOLTAGE RANGE		OPTIONS
ENCLOSED TYPE SWITCHING POWER SUPPLY, 1U PROFILE, CONSTANT VOLTAGE DESIGN, PFC FUNCTION		200 means 200W		X = 05	5V	H means 85~305VAC / 120~430VDC	Y = C	Terminal block with cover
							Y = Q	Conformal coating

ELECTRICAL SPECIFICATION

MODEL MFS-200-05-H

OUTPUT

RATED VOLTAGE	5V
ADJUSTABLE VOLTAGE RANGE (MIN.)	4.5V ÷ 5.5V
RATED CURRENT	40A
RATED POWER	200W
LINE REGULATION	± 0.5%
LOAD REGULATION	± 1%
RIPPLE & NOISE (MAX.) [2]	150mV _{p-p}
HOLD UP TIME (TYP.)	12ms / 230VAC at full load

INPUT

VOLTAGE RANGE	85 ÷ 305VAC; 120 ÷ 430VDC
FREQUENCY RANGE	47 ÷ 63Hz
EFFICIENCY (TYP.)	85%
POWER FACTOR (TYP.)	0.95 / 230VAC; 0.98 / 115VAC
AC CURRENT (TYP.)	1.5A / 230VAC; 3A / 115VAC
INRUSH CURRENT (TYP.)	65A / 230VAC; 35A / 115VAC

MFS-200-05-H series

200W/5V Constant Voltage Enclosed Switching Power Supply with PFC function



PROTECTIONS

OVER CURRENT	Range: 105% ÷ 250% rated current Type: hiccup mode, auto-recovery.
SHORT CIRCUIT	Type: auto-recovery < 5s after the short circuit disappear
OVER VOLTAGE	≤ 7VDC Type: hiccup mode, auto-recovery.
OVER TEMPERATURE	Type: hiccup mode, auto-recovery.

WORKING ENVIRONMENT

WORKING TEMPERATURE	-30°C ÷ +70°C (Refer to Temperature Derating Curve)
WORKING HUMIDITY	20 ÷ 90% RH non-condensing
STORAGE TEMPERATURE AND HUMIDITY	-40°C ÷ 85°C, 10 ÷ 95% RH non-condensing
TEMPERATURE COEFFICIENT	± 0.03% / °C (0°C ÷ +45°C)

SAFETY AND EMC REGULATIONS

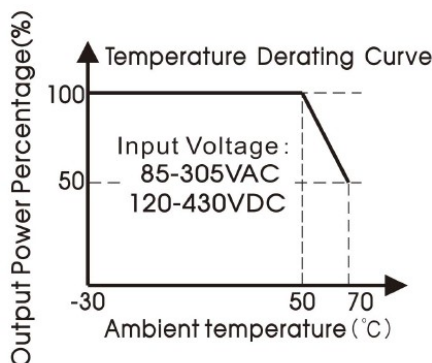
SAFETY STANDARDS	Compliance to EN62368-1. Design refer to IEC/UL62368-1, GB4943.1, IEC60950-1
WITHSTAND VOLTAGE	IN/OUT: 4000VAC (< 10mA); IN/GND: 2000VAC (< 10mA) ; OUT/GND: 500VAC (< 10mA)
ISOLATION RESISTANCE	IN/OUT, IN/GND, OUT/GND: 100MΩ/500VDC
EMC EMISSION	Compliance to EN55032
EMC IMMUNITY	Compliance to EN55035; EN61000-4-2, -3, -4, -5, -6, -11
HARMONIC CURRENT	Compliance to EN61000-3-3, EN61000-3-2 class A and D

OTHERS

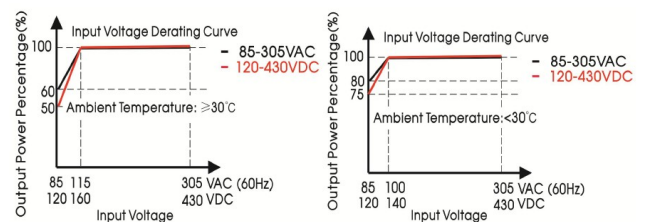
MTBF (MIN.)	250 000h / 25°C per MIL-HDBK-217F
DIMENSIONS AND CASE MATERIAL	215 x 115 x 30mm (L x W x H); Metal (AL1100, SGCC)
NET WEIGHT	0.75kg

1. All parameters NOT specially mentioned are measured at 230VAC input, rated load, 25°C of ambient temperature and humidity <75% RH.
2. Ripple & noise is measured at 20MHz of bandwidth by using a 12" twisted pair-wire terminated with a 0.1μF i 47μF parallel capacitor.
3. In order to improve the efficiency at high input voltage, there will be audible noise generated, but it does not affect product performance and reliability.
4. Case needs to be connected to the earth (⊕) of the system when the terminal equipment in operating.
5. The room temperature derating of 5°C / 1000m is needed for operating altitude greater than 2000m.
6. Power supply is considered as component not indented to apply by end-user. Power supply meets safety and EMC standards however the final equipment with power supply must be re-quality to comply with EMC Directives.
7. One magnetic bead (nickel-zinc ferrite) should be coupled with the output load line during CE/RE testing.
8. All EMC items are tested on a metal plate (L x W x H, 450mm x 450mm x 3mm), the product should be assembled on such a plate.

DERATING CURVE



STATIC CHARACTERISTIC

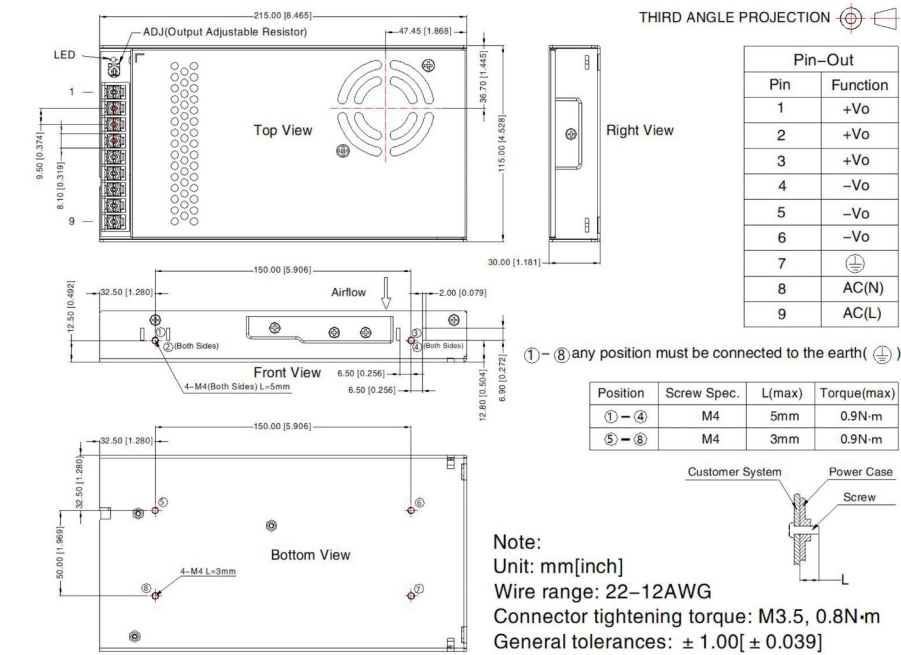


MFS-200-05-H series

200W/5V Constant Voltage Enclosed Switching Power Supply with PFC function



MECHANICAL SPECIFICATION of MFS-200-05-H and MFS-200-05-H-Q



MECHANICAL SPECIFICATION of MFS-200-H-C

