

# POSC12125A series

12V / 1.25A Wall mounted type AC/DC adaptor



## ■ Features:

- Universal AC input / Full range
- ErP step II / CEC level VI compliance
- MTBF > 100.000 h

- Protections: Overload / Short circuit / Over Voltage



## ELECTRICAL SPECIFICATION

|       |            |
|-------|------------|
| MODEL | POSC12125A |
|-------|------------|

## OUTPUT

|                           |                                   |
|---------------------------|-----------------------------------|
| Rated Voltage             | 12V                               |
| Rated Current             | 1.25A                             |
| Current Range             | 0 ÷ 1.25A                         |
| Rated Power               | 15W                               |
| Line Regulation           | ± 5%                              |
| Load Regulation           | ± 5%                              |
| Tolerance [3]             | ± 8%                              |
| Ripple & Noise (max.) [2] | 200mV <sub>p-p</sub>              |
| Rise Time [4]             | 100ms / 230VAC at 10% to 90% load |
| Hold up Time (typ.)       | 3ms / 230VAC at full load         |

## INPUT

|                                  |  |
|----------------------------------|--|
| Voltage Range                    | 90 ÷ 264VAC  |
| Frequency Range                  | 47 ÷ 63Hz  |
| Efficiency (typ.)                | 84.13% - Input115/230Vac / Average (25%+50%+75%+100%) /4 |
| AC Current (typ.)                | 0.6A / 230VAC  |
| No load Power Consumption (max.) | <0.10W   |

## PROTECTIONS

|               |                                   |
|---------------|-----------------------------------|
| Overload      | 1.375A-2.50A<br>Auto-recovery.    |
| Short Circuit | Type: hiccup mode, auto-recovery. |
| Over Voltage  | Type: auto-recovery.              |

# POSC12125A series

12V / 1.25A Wall mounted type AC/DC adaptor



## WORKING ENVIRONMENT

|   |   |
|---|---|
| <b>Working Temperature</b>              | -5°C ÷ 40°C                             |
| <b>Working Humidity</b>                 | 5 ÷ 95% RH non-condensing               |
| <b>Storage Temperature and Humidity</b> | -40°C ÷ 85°C, 5 ÷ 90% RH non-condensing |

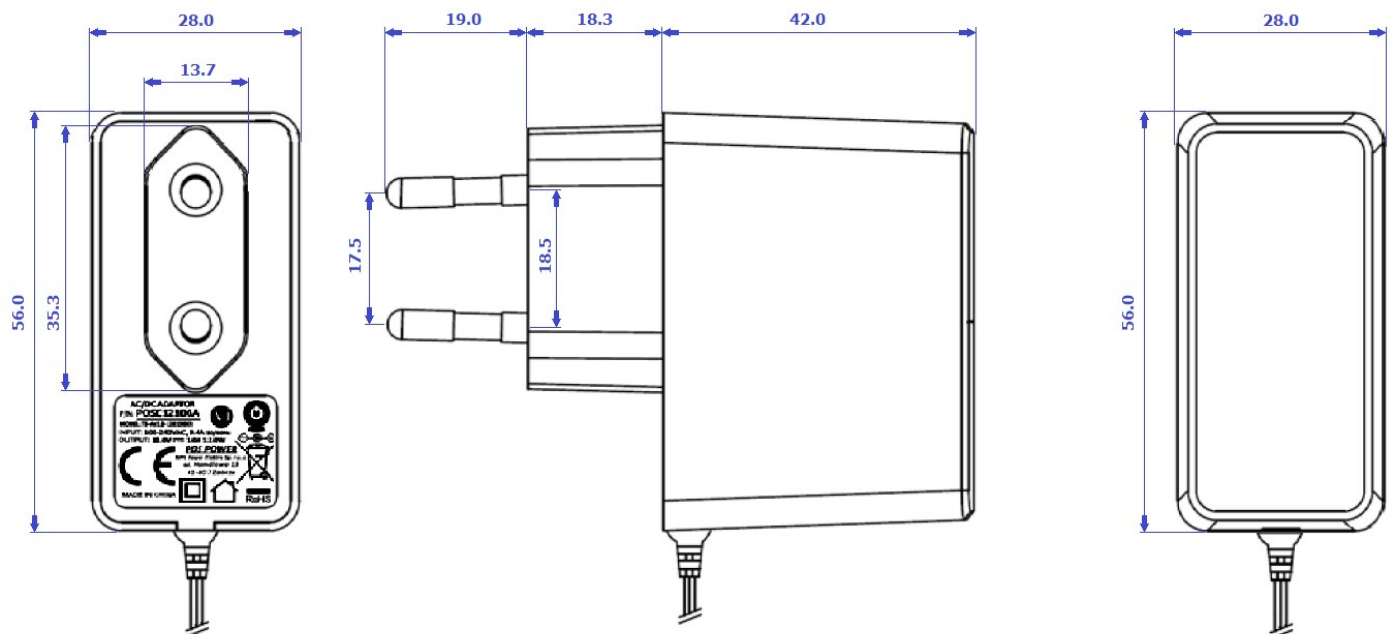
## SAFETY and EMC REGULATIONS

|                             |  |
|-----------------------------|--|
| <b>Safety Standards</b>     | Compliance to EN 62368                 |
| <b>Withstand Voltage</b>    | IN/OUT: 3.6kVAC                        |
| <b>Isolation Resistance</b> | IN/OUT: 50MΩ/500VDC/25°C/70%           |
| <b>EMC Emission</b>         | Compliance to EN55032                  |
| <b>EMC Immunity</b>         | Compliance to EN61000-4-2, -3, -4, -5  |
| <b>Harmonic Current</b>     | Compliance to EN61000-3-3; EN61000-3-2 |

## OTHERS

|                                |  |  |
|--------------------------------|--|--|
| <b>DC wire and plug</b>        | Wire: 22AWG*2C, length = 1500mm        | Plug: <b>2.1/5.5mm</b> center positive |
| <b>Net Weight / Dimensions</b> | 67g / 56.0 x 28.0 x 42.0mm (L x W x H) |  |

## MECHANICAL SPECIFICATION

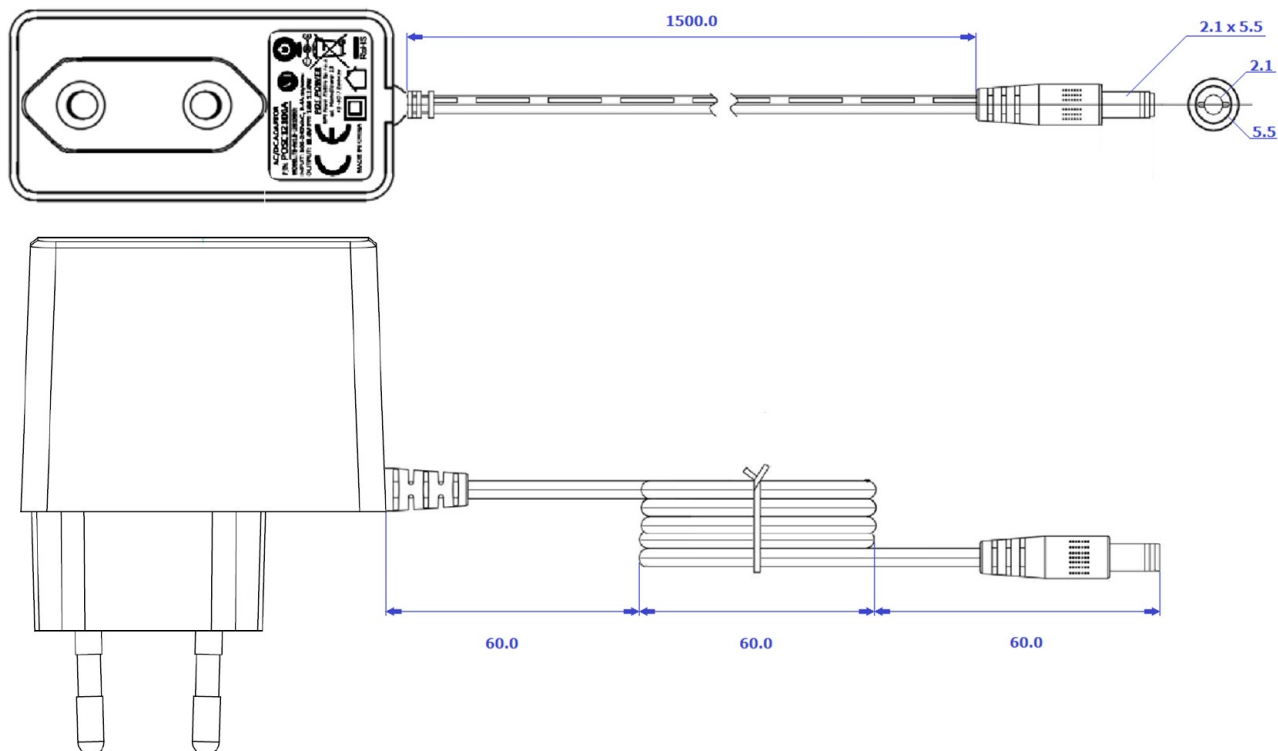


# POSC12125A series

12V / 1.25A Wall mounted type AC/DC adaptor



## MECHANICAL SPECIFICATION: DC wire and plug



| MODEL             | DC PLUG          | X [mm]     | Y [mm]     | Polarity               |
|-------------------|------------------|------------|------------|------------------------|
| <b>POS12125A</b>  | <b>5.5x2.1mm</b> | <b>5.5</b> | <b>2.1</b> | <b>center positive</b> |
| POS12125A-2555    | 5.5x2.5mm        | 5.5        | 2.5        | center positive        |
| POS12125A-1335    | 3.5x1.3mm        | 3.5        | 1.3        | center positive        |
| POS12125A-1740    | 4.0x1.7mm        | 4.0        | 1.7        | center positive        |
| POS12125A-1748    | 4.8x1.7mm        | 4.8        | 1.7        | center positive        |
| POS12125A-CN      | 5.5x2.1mm        | 5.5        | 2.1        | center negative        |
| POS12125A-2555-CN | 5.5x2.5mm        | 5.5        | 2.5        | center negative        |
| POS12125A-1335-CN | 3.5x1.3mm        | 3.5        | 1.3        | center negative        |
| POS12125A-1740-CN | 4.0x1.7mm        | 4.0        | 1.7        | center negative        |
| POS12125A-1748-CN | 4.8x1.7mm        | 4.8        | 1.7        | center negative        |

1. All parameters NOT specially mentioned are measured at 230VAC input, rated load and 25°C of ambient temperature.
2. Ripple & noise are measured at 20MHz of bandwidth by using a 12" twisted pair-wire terminated with a 0.1µF i 47µF parallel capacitor.
3. Tolerance includes set up tolerance, line regulation and load regulation.
4. Setup and rise time is measured from 0 to 90% rated output voltage.
5. Power supply is considered as component not indented to apply by end-user. Power supply meets safety and EMC standards however the final equipment with power supply must be re-quality to comply with EMC Directives.