

POSC12500D-C8 series

12V/5A Desktop type AC/DC adaptor



■ Features:

- Universal AC input / Full range
- ErP step II / CEC level VI compliance
- MTBF >100.000h

- Protections: Overload / Short circuit / Over Voltage



ELECTRICAL SPECIFICATION

MODEL	POSB 12500D-C8
-------	----------------

OUTPUT

Rated Voltage	12V
Rated Current	5A
Current Range	0 ÷ 5A
Rated Power	60W
Line Regulation	± 5%
Load Regulation	± 5%
Tolerance	± 8%
Ripple & Noise (max.)	200mV _{p-p}
Rise Time	3ms / 230VAC at full load
Hold up Time (typ.)	100ms / 230VAC at full load

INPUT

Voltage Range	90 ÷ 264VAC
Frequency Range	47 ÷ 63Hz
Efficiency (typ.)	88.01% - Input115/230Vac/Average (25%+50%+75%+100%) /4
AC Current (typ.)	1.2A / 230VAC
No load Power Consumption (max.)	<0.21W

PROTECTIONS

Over Current Protection	5.50A-6.75A Auto-recovery.
Short Circuit	Type: hiccup mode, auto-recovery.
Over Voltage	Type: auto-recovery.

POSC12500D-C8 series

12V / 5A Desktop type AC/DC adaptor



WORKING ENVIRONMENT

Working Temperature	-5°C ÷ 40°C
Working Humidity	5 ÷ 95% RH non-condensing
Storage Temperature and Humidity	-40°C ÷ 85°C, 5 ÷ 90% RH non-condensing

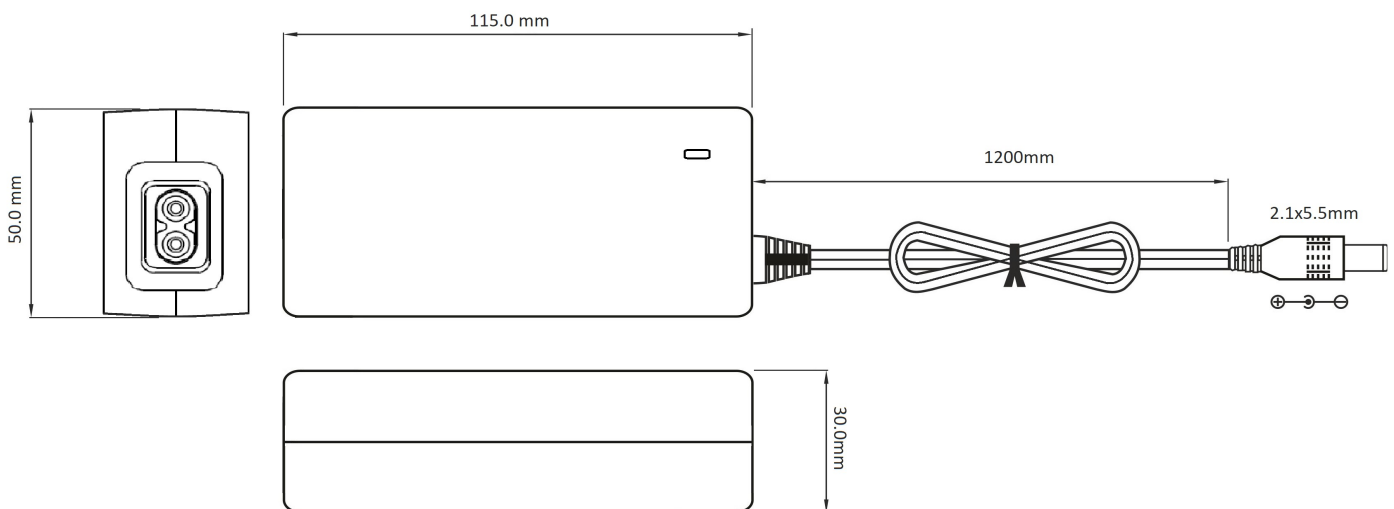
SAFETY and EMC REGULATIONS

Safety Standards	Compliance to EN 62368
Withstand Voltage	IN/OUT: 1.5kVAC
Isolation Resistance	IN/OUT: 100MΩ/500VDC/25°C/70%
EMC Emission	Compliance to EN55032
EMC Immunity	Compliance to EN61000-4-2, -3, -4, -5
Harmonic Current	Compliance to EN61000-3-3; EN61000-3-2

OTHERS

DC wire and plug	Wire: 18AWG*2C, length = 1200mm	Plug: 2.1/5.5, positive inside
Net Weight / Dimensions	220g / 115 x 50 x 30mm (L x W x H)	

MECHANICAL SPECIFICATION



1. All parameters NOT specially mentioned are measured at 230VAC input, rated load and 25°C of ambient temperature.
2. Ripple & noise are measured at 20MHz of bandwidth by using a 12" twisted pair-wire terminated with a 0.1μF i 47μF parallel capacitor.
3. Tolerance includes set up tolerance, line regulation and load regulation.
4. Setup and rise time is measured from 0 to 90% rated output voltage.
5. Power supply is considered as component not indented to apply by end-user. Power supply meets safety and EMC standards however the final equipment with power supply must be re-quality to comply with EMC Directives.