

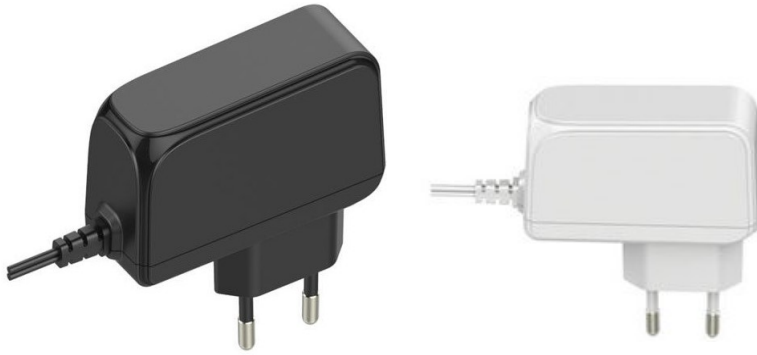
POS24050A series

24V / 0.5A Wall mounted type AC/DC adaptor



■ Features:

- Universal AC input / Full range
- ErP step II / CEC level VI compliance
- No load power consumption $P < 0.075W$
- Protections: Overload / Short circuit / Over Voltage



ELECTRICAL SPECIFICATION



MODEL	POS 24050A
OUTPUT	
Rated Voltage	24V
Rated Current	0.5A
Current Range	0 ÷ 0.5A
Rated Power	12W
Line Regulation	± 1%
Load Regulation	± 5%
Tolerance [3]	± 8%
Ripple & Noise (max.) [2]	200mV _{p-p}
Setup, Rise Time [4]	5000ms, 30ms / 230VAC at full load
Hold up Time (typ.)	4ms / 230VAC at full load

INPUT	
Voltage Range	90 ÷ 264VAC
Frequency Range	47 ÷ 63Hz
Efficiency (typ.)	82.96 %
AC Current (typ.)	0.5A / 230VAC
No load Power Consumption (max.)	0.1W

PROTECTIONS	
Overload	Range: 105-200% Auto-recovery.
Short Circuit	Type: hiccup mode, auto-recovery.
Over Voltage	Type: auto-recovery.

POS24050A series

24V / 0.5A Wall mounted type AC/DC adaptor



WORKING ENVIRONMENT

Working Temperature	0°C ÷ 40°C
Working Humidity	10 ÷ 90% RH non-condensing
Storage Temperature and Humidity	-20°C ÷ 85°C, 5 ÷ 90% RH non-condensing

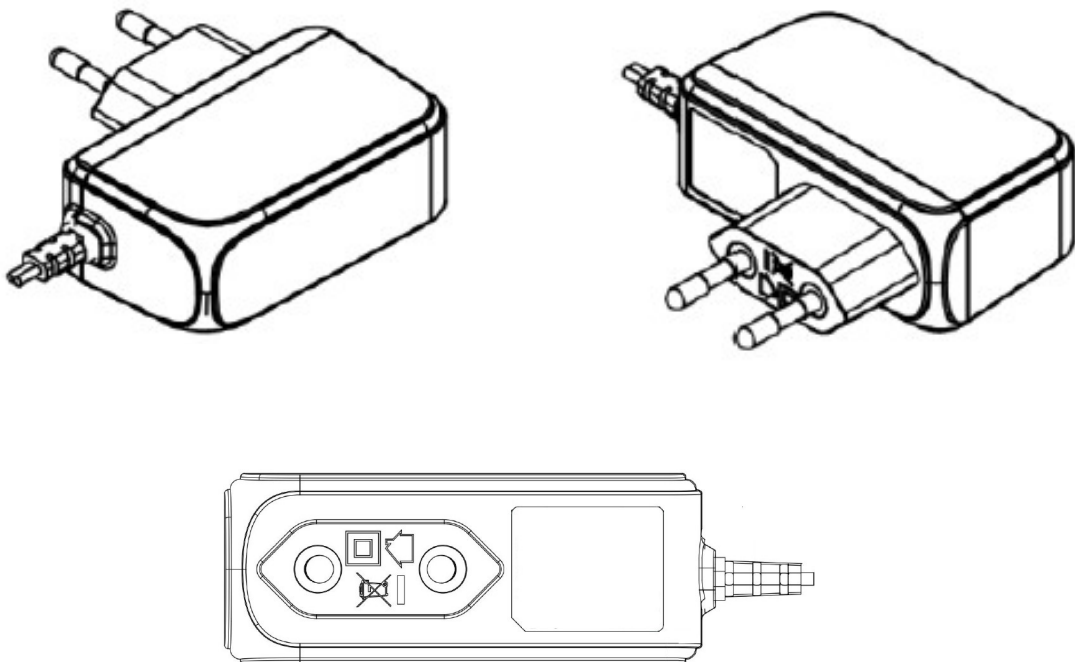
SAFETY and EMC REGULATIONS

Safety Standards	Compliance to EN 60950-1
Withstand Voltage	IN/OUT: 3.6kVAC
Isolation Resistance	IN/OUT: 10MΩ/500VDC/25°C/70%
EMC Emission	Compliance to EN55032
EMC Immunity	Compliance to EN61000-4-2, -3, -4, -5
Harmonic Current	Compliance to EN61000-3-3; EN61000-3-2

OTHERS

DC wire and plug	Wire: 24AWG*2C, length = 1500mm	Plug: 2.1/5.5, positive inside
Dimension; Net Weight	61.6x27.6x38.86 (LxWxH); 124.6g	

MECHANICAL SPECIFICATION

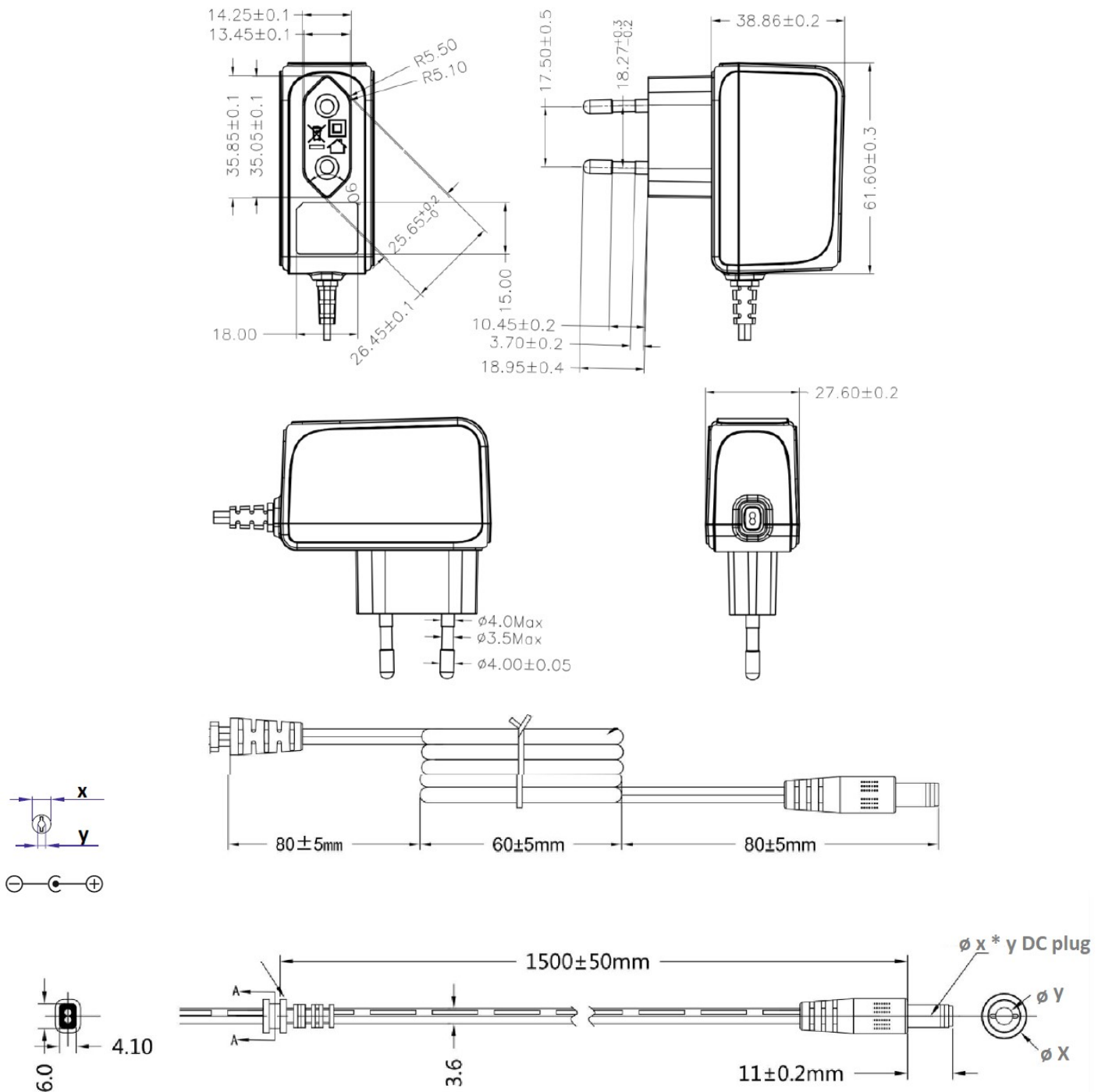


POS24050A series

24V/0.5A Wall mounted type AC/DC adaptor



MECHANICAL SPECIFICATION:



MODEL	DC PLUG	X [mm]	Y [mm]	Polarity
POS24050A	5.5x2.1mm	5.5	2.1	Center positive
POS24050A-2555	5.5x2.5mm	5.5	2.5	Center positive
POS24050A-1335	3.5x1.3mm	3.5	1.3	Center positive